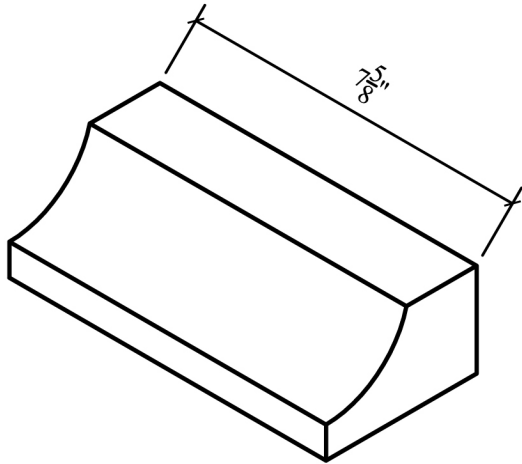
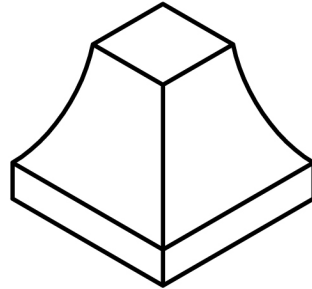


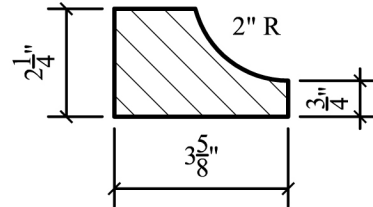
# WT-3 Cove



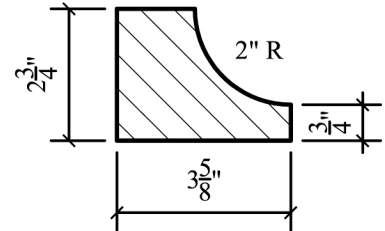
STRETCHER



CORNER  
Left or Right



MODULAR



OVERSIZE