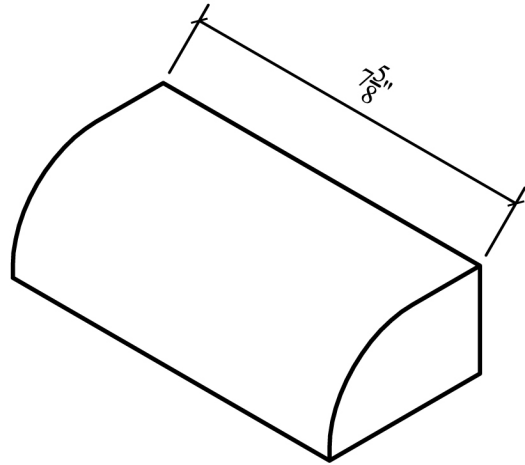
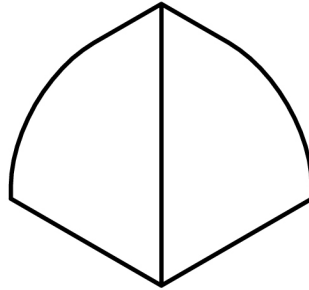


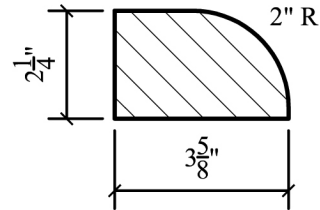
WT-2 Bullnose



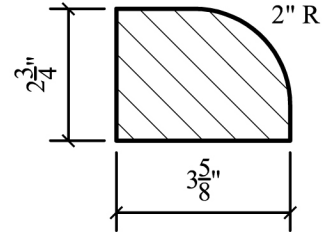
STRETCHER



CORNER
Left or Right



MODULAR



OVERSIZE